

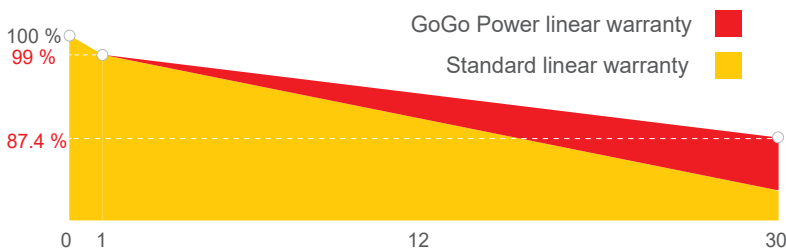
# SOLAR PANEL

## BIFACIAL MODULE

## 620 Watt N-Type

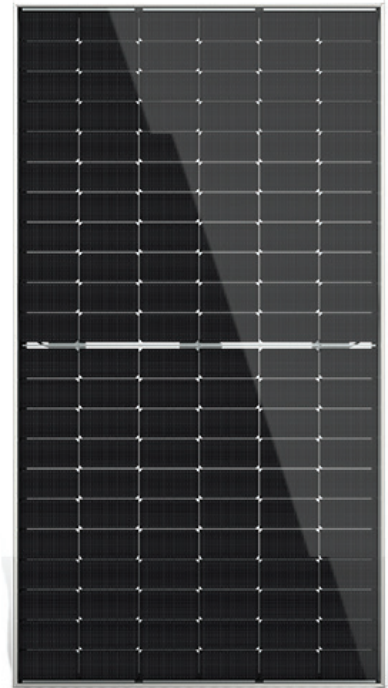
### BIFACIAL MODULE

Industry-leading Warranty based on nominal power



## 620 Watt N-Type

Module efficiency (%)  
(23.0%)



## Features



### PID Resistance

Excellent Anti-PID performance guarantee via optimized mass-production process and materials control.



### Lower LCOE

Higher bifaciality, higher power output and lower BOS cost



### SMBB Technology

Better light trapping and current collection to improve module power output and reliability.



### Hot 2.0 Technology

The N-type module with Hot 2.0 technology has better reliability and lower LID/LETID.



### Extended wind and snow load tests

Module certified to withstand extreme wind (2400 Pascal) and snow loads (5400 Pascal) \*



### Excellent weak light performance

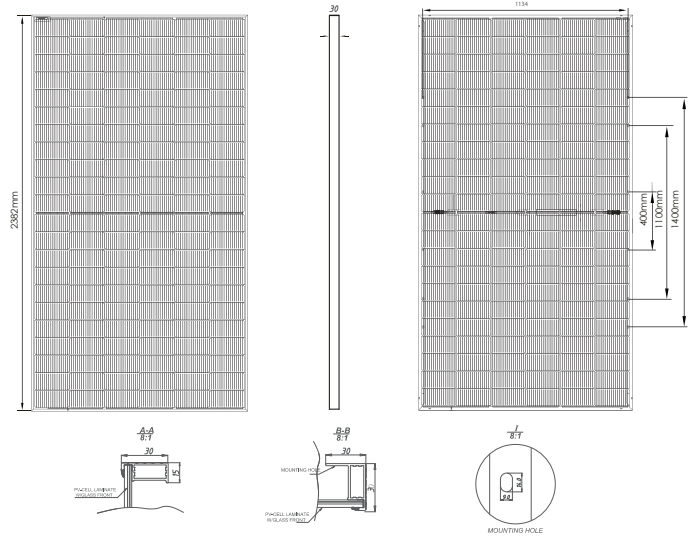
More power output in weak light condition, such as cloudy, morning and sunset

# SOLAR PANEL

## BIFACIAL MODULE

### MECHANICAL SPECIFICATIONS

Cell Type	N type Mono-crystalline
Cell Dimensions	210*182mm
Cell Arrangement	132 (6*22)
Weight	33.5KG
Module Dimensions	2382*1134*30mm
Cable Length	Portrait 300mm/Customized
Cable Cross Section Size	TUV: 4mm <sup>2</sup> /UL: 12AWG
Front Glass	2.0mm, Anti-Reflection Coating
Back Glass	2.0mm, Heat Strengthened Glass
No. of Bypass Diodes	3/6
Packing Configuration	36pcs/pallet, 720pcs/40hq
Frame	Anodized Aluminium Alloy
Junction Box	IP68



### ELECTRICAL SPECIFICATIONS

Module Type	GP620W#BPVN	
	STC	NMOT
Testing Condition	STC	NMOT
Rated output (Pmp/Wp)	620	471.9
Maximum Power Voltage(Vmpp/V)	40.91	38.88
Maximum Power Current(Imp/A)	15.16	12.14
Open Circuit Voltage(Voc/V)	48.78	46.36
Short Circuit Current(Isc/A)	16.05	12.89
Module efficiency(%)	23.0%	
Power Tolerance (W)	0~+5	

STC: Irradiance 1000W/m<sup>2</sup>, Cell Temperature 25°C, Air Mass AM1.5 NMOT: Irradiance at 800W/m<sup>2</sup>, Ambient Temperature 20°C, Air Mass AM1.5, Wind Speed 1m/s

### TEMPERATURE CHARACTERISTICS

NMOT Temperature	44°C ±2 °C
Temperature Coefficient (Pmax)	-0.28%/°C
Temperature Coefficient (Voc)	-0.23%/°C
Temperature Coefficient (Isc)	0.045%/°C

### MAXIMUM RATINGS

Maximum System Voltage	1500V DC(IEC)
Operating Temperature	-40°C ~ +85°C
Maximum Series Fuse	30A
Static Loading	Snow Loading: 5400Pa/ Wind Loading: 2400Pa
Conductivity at Ground	≤0.1Ω
Safety Class	II
Resistance	≥100MΩ

### CURVE & TEMPERATURE DEPENDENCE

