

# DC UPS

## GPDCU#18WT

### Features

- 1) Built-in adapter allows wide AC voltage range 85Vac-265Vac.
- 2) Built-in high capacity lithium batteries, provides long backup time to loads.
- 3) Suitable for most digital device.
- 4) Power over Ethernet (POE) can transmit the data and power at the same time to simplify wire set.
- 5) 5V USB output, can provide charging for mobile phone, PSP, PDA, IPOD, MP4....etc.
- 6) Intelligent circuit design with over-charging, over-discharging and short circuit protections.

### 1. Instructions of the Components

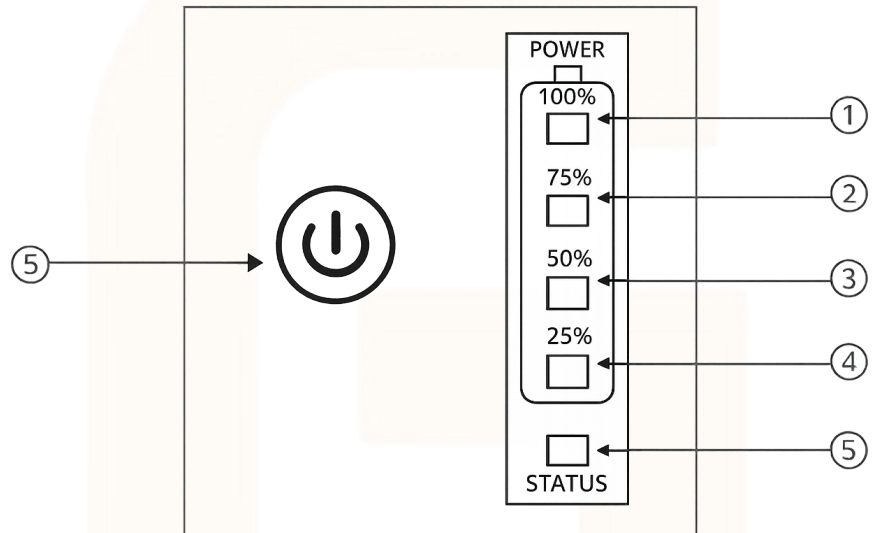
- 1) 100% Battery capacity LED indicator
- 2) 75% battery capacity LED indicator
- 3) 50% battery capacity LED indicator
- 4) 25% battery capacity LED indicator
- 5) Work status indicator
- 6) ON/OFF Switch
- 7) Reset button for POE
- 8) Ethernet output interface
- 9) LAN Ethernet interface
- 10) Output voltage Selector(15V/24V)
- 11) USB (5Vdc) output port.
- 12) Output voltage Selector (9V/12V)
- 13) Output port(9V/12V)
- 14) AC input socket
- 15) Output port(5V)
- 16) Output port(12V)
- 17) Output port(9V)

### 2. Instructions of the Components

- 1) 1 × DC UPS.
- 2) 1 × 0.8m AC power cable.
- 3) 1 × 0.3 m One-to-One 5.5\*2.5 male to 5.5\*2.5 male DC Power Cables.
- 4) 1 × 0.3 m One-to-Two 5.5\*2.5 male to 5.5\*2.5 male DC Power Cables.
- 5) 1 × User's manual

### 3. Warning

- 1) Do check the working voltage, current and polarity of the loads before connecting them to the UPS, then choose the corresponding voltage.
- 2) Please charge fully before initial use.
- 3) Dropping, hitting, disassembling and repairing privately are forbidden.
- 4) Don't put the UPS into water or make it wet.
- 5) Don't dispose of the UPS in fire or heating.
- 6) Don't use the UPS in any flammable environments.
- 7) Don't put the UPS in any places where Children can reach.



DC-UPS			
Model		GPDCU#18WT	
Maximun output power		18W	
Input			
Voltage Range		85~265Vac	
Frequency Range		50Hz/ 60 Hz	
Surge Current		≤3A	
Input Insurance		0.8A/250Vac	
Output			
Port	Voltage Error	Ripple Voltage	Maximum Current
USB5V	±5%	≤250mVp-p	2A
DC5V			2A
DC9V		≤450mVp-p	1A
DC12V		≤600mVp-p	1.3A
POE 15V		≤750mVp-p	0.6A
POE 24V		≤1200mVp-p	0.6A
Transfer Time		0ms	
Efficiency			
Efficiency		≧ 85%	
Battery			
Battery	Specification	2600maH	
	Qty	4	
Appearance			
LED		Power Display and Working Status Display	
Dimensions			
Configured according to normal standards	Product	Dimensions:D x W x H	163X 105 X 33(mm <sup>3</sup> )
		N. W (Kg)	0.41
	Packing/ piece	Dimensions:D x W x H	181*160*37(mm <sup>3</sup> )
		N. W (Kg)	0.55
	One Carton (20pcs)	Dimensions:D x W x H	382*342*206(mm <sup>3</sup> )
		N. W (Kg)	10.6
Operating environment			
Operating temperature		0°C~ 45°C Typical value: 25°C (No charging below 0°C)	
Storage temperature		-10°C~ 70°C Typical value: 25°C	
relative humidity		relative humidity 0~85 % (No condensation)	
Altitude		≤3000m	
Heat dissipation mode		natural convection	